

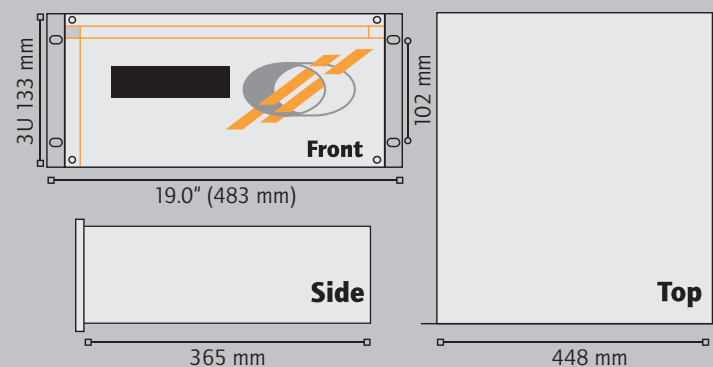
SPECIFICATIONS OZR5000

Measurement method	MicroPoas®
Range	0.01 ppm to 25 % O ₂
Flow rate	From 1 to 3 l/h for the sensor + bypass flow for a quick loop
Maximum intake pressure and temperature	3 bars abs* 110°C
Response time	T90 < 2s open bypass
User-friendly operation	Display of operation parameters, flow rate, error messages, indication of MicroPoas® status. Visual indication of the flow.
Output signals	4-20 mA output linear signal, galvanic isolation
Output scales	User configurable over the range (max. 3 decades)
Alarms	2 threshold alarms, 1 general fault alarm, 1 flow alarm. Thresholds can be adjusted over the range.
Accuracy	2 % relative
Drift/week	<1% of reading
Display resolution	0.01 ppm from 0.01 ppm to 10 ppm, 0.1 ppm from 10 ppm to 10 000 ppm, 0.01 % from 1 % to 10 %, 0.1 % from 10 % to 25 %
Sample inlet/outlet connections	Stainless steel unions for tube
Power supply	110 to 220 Vac – 50/60 Hz; 50 VA
Dimensions and weight	19" rack mounting 3 U : 483 x 133 x 365 mm – 10 kg
Environment	Temperature : 0 to 55°C – Humidity : 5 to 90 % without condensation

* For an outlet pressure between 800 and 1750 mbar

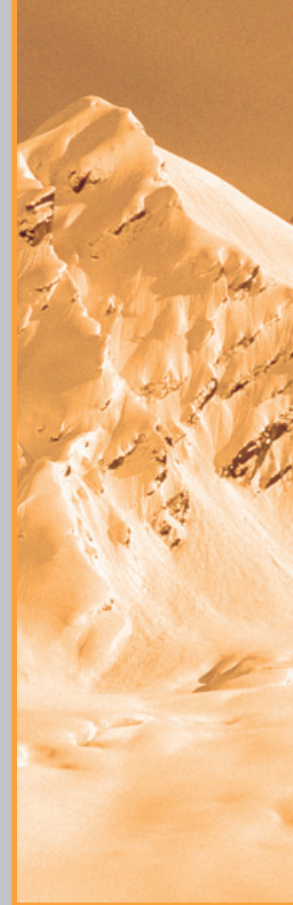
Dimensions

Standard rack mount 3U
Height > 133 mm | Depth > 365 mm | Width > 483 mm



sales@
www.orthodyne.be

Line 5000



OZR5000

Trace oxygen analyser

Control of pure gases and gas mixtures
Built-in MicroPoas® technology



102715 en © www.orthodyne.com • 045 647112

Rue des Technologies, 23 - B-4432 ALLEUR - BELGIUM
Phone : +32-4-247 91 06 – Fax : +32-4-263 09 79
E-Mail : sales@orthodyne.be

ORTHODYNE
GAS CHROMATOGRAPHY

OZR5000

Trace oxygen analyser

Performance, reliability, ergonomics and technology

GENERAL

OZR5000 trace oxygen analyser manufactured by Orthodyne meets the requirements of industrial gas production and thermal treatment industries. It includes the MicroPoas® zirconia sensor technology with built-in metallic reference.

MICROPOAS® ZIRCONIA SENSOR

1. High technology for high accuracy measurement and control.

When you use MicroPoas®, you optimise your installation and process safety.

Zirconia sensor with built-in metallic reference : completely independent from the external environment. No need for a reference gas : easy set-up.

2. Products with proven performance

The MicroPoas® sensor enables our analysers to deliver excellent accuracy and unequalled linearity and enables you to reduce maintenance costs and keep them under control. Its sturdiness guarantees lower and mastered maintenance costs. From measurement of oxygen fugacity in volcanic gases to microelectronics, the MicroPoas® technology is adaptable to a wide range of applications, in both industrial and scientific fields.

APPLICATIONS

- Air separation plants
- Specialty gas laboratories
- Process control
- Steel industry
- Cryogenic truck loading station
- Basic research
- Materials research
- Monitoring of atmospheres

3. Performances of the smallest "MicroPoas®" zirconia sensor

- Specific to gaseous oxygen
- No need for reference gas
- Life time > 3 years on clean gases
- Recommended working temperature : 500 to 1050°C (high temperature version up to 1050°C on request)
- Resistance to total pressure > 400 atm
- Resistance to thermal shocks > 100 cycles between 20 and 700°C in 10s
- Thermal homogeneity for high measurement accuracy
- Fast set-up
- Special assemblies for measurement in a vacuum or under pressure (10⁻⁴ mbar to more than 70 bar)

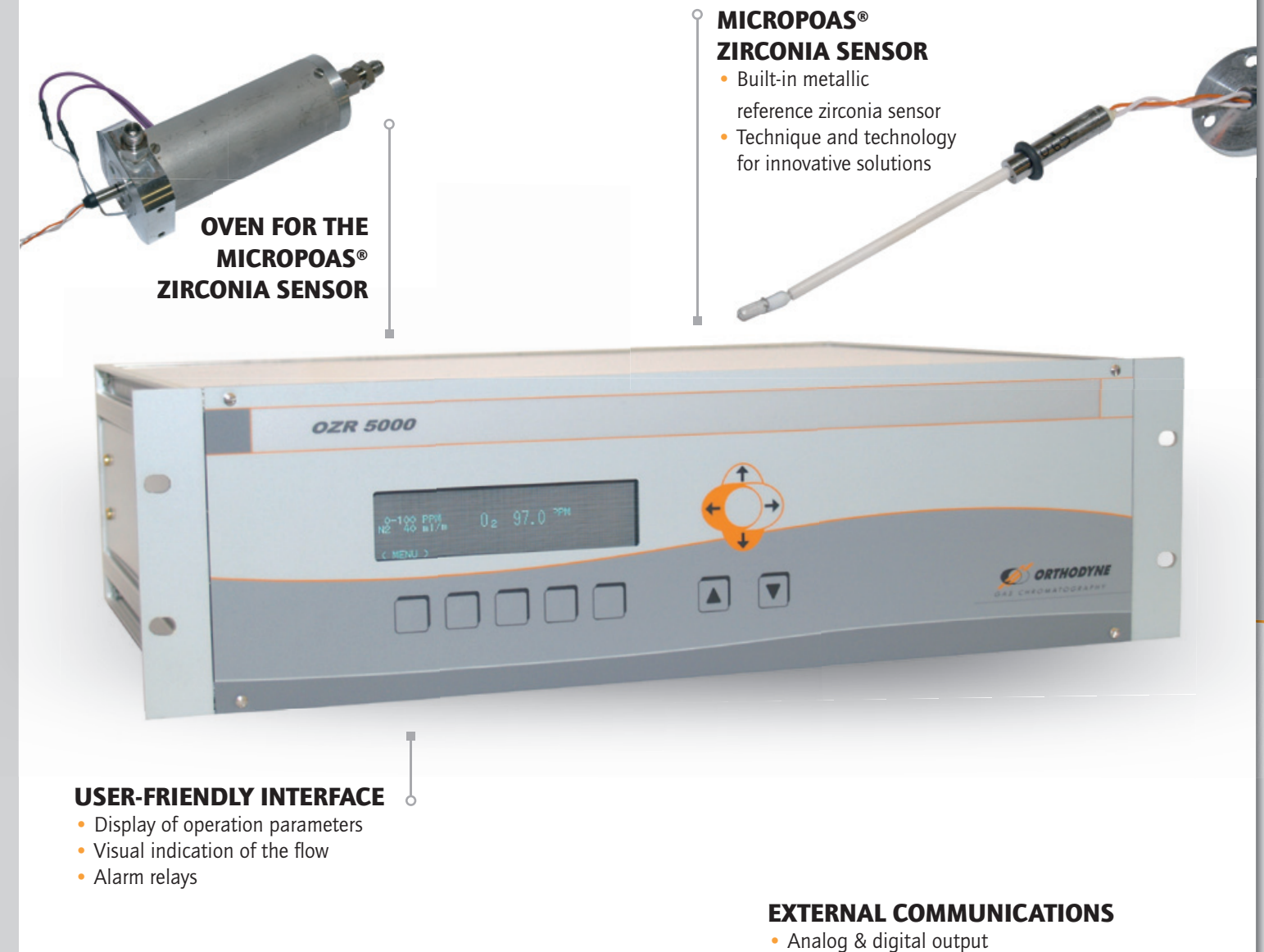
OZR PERFORMANCES

- Excellent response time
- Keyboard for intuitive operation
- Extremely high linearity
- From 0.01 ppm to 25 % O₂ in a single range
- Reliability and reproducibility
- Built-in bypass
- Almost maintenance-free
- Less sensitive to reducing gases thanks to its special sensor

TYPE OF CONFIGURATION

- OZR5001 : 1 zirconia sensor
- OZR5002 : 2 zirconia sensors*
- OZR5003 : 3 zirconia sensors*
- OZR5004 : 4 zirconia sensors

* OZR5003 and OZR5004 will be assembled inside a rack of 365 mm depth and 6U height.



Line 5000 - OZR5000 - Trace oxygen analyser